

# General Characteristics

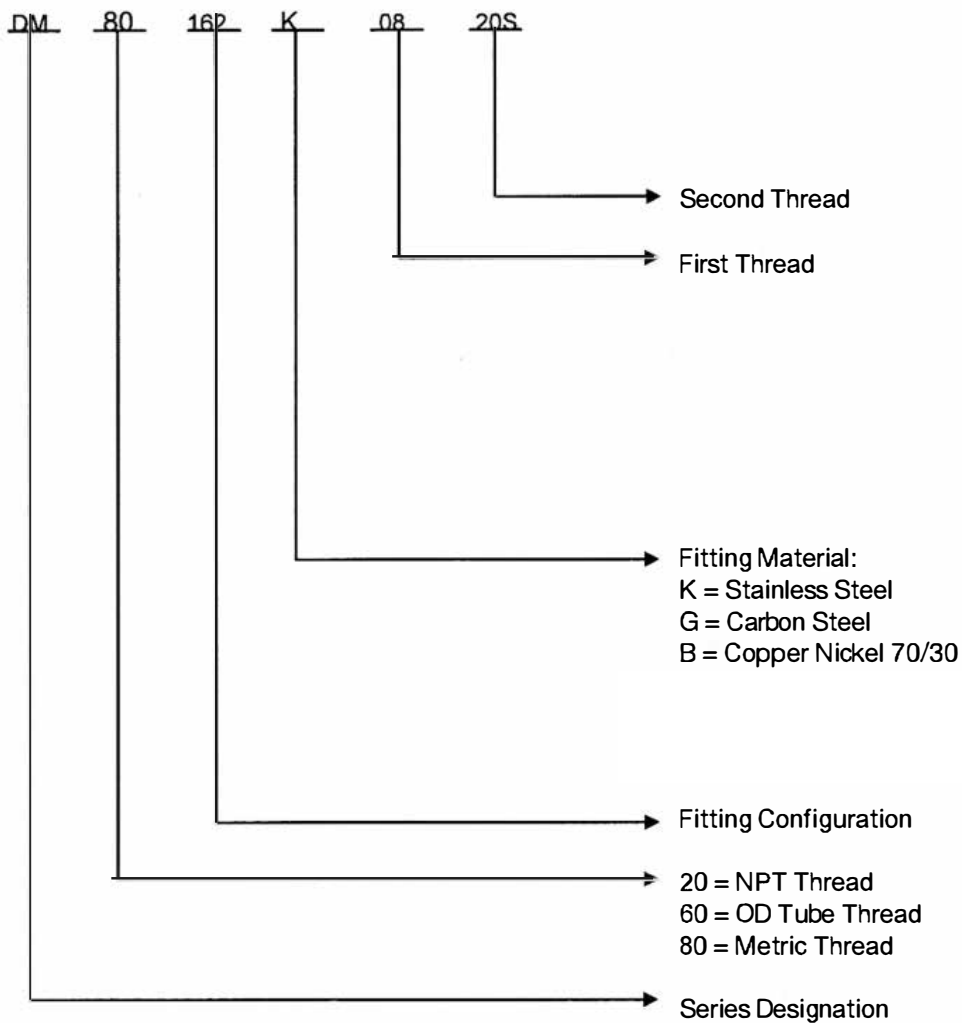
## DM Series - Threaded Adapters

Fitting Material Specifications	Material Specification
K = Stainless Steel	ASTM-A479/A182-316
G = Carbon Steel	ASTM-A105/A350 LF2
B = Copper Nickel 70/30	MIL-C71500

O-Ring Material Specifications	O-Ring Temperature Limits
VITON (Brown Colour)	-15°F to 400°F (-26°C to 205°C)
EPDM (Black Colour)	-60°F to 400°F (-51°C to 205°C)

For seal compatibility and selection for each system consult factory. Other seal materials for specific applications of compatibility and temperature are available upon request.

### Ordering Information

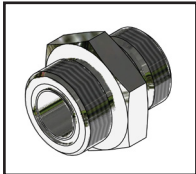


System design and safe application is the responsibility of the end-user. Consideration must be taken to confirm proper fitting selection is made to ensure proper compatibility, function and operation of the fitting within the piping system. The technical and performance information such as weights, dimensions and ratings in this catalogue supersede all previous published data. Tube-Mac® reserves the right to change technical data and product dimension, ratings and other aspects without notice.

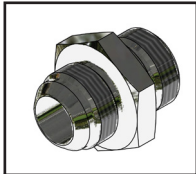
3D step models available upon request

# Standard Fitting Configuration Guide

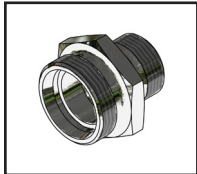
## DM Series - Threaded Adapters



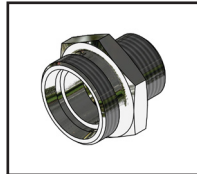
**BSPP Male to ORFS Male Adapter**  
DM80160  
Page F3



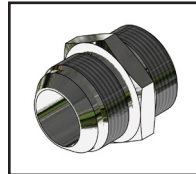
**BSPP Male to JIC Male Adapter**  
DM80161  
Page F4



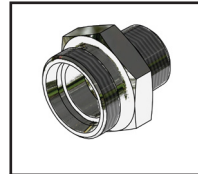
**BSPP Male to DIN Male Adapter**  
DM80162  
Page F5



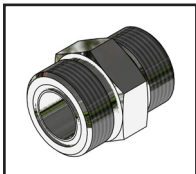
**SAE Male to DIN Male Adapter**  
DM80163  
Page F6



**SAE Male to JIC Male Adapter**  
DM80164  
Page F7



**NPT Male to DIN Male Adapter**  
DM20165  
Page F8

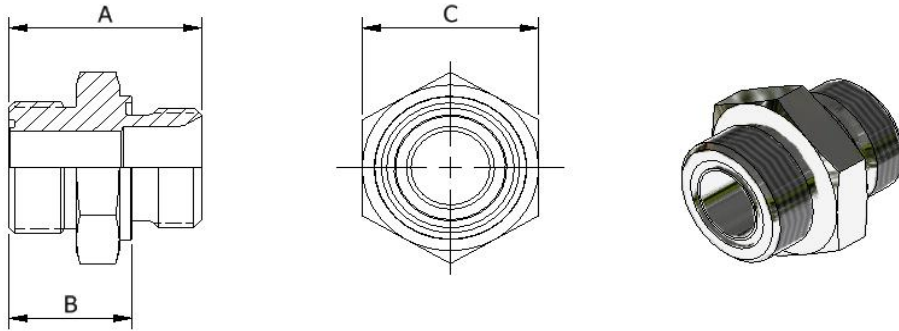


**SAE Male to ORFS Male Adapter**  
DM60166  
Page F9



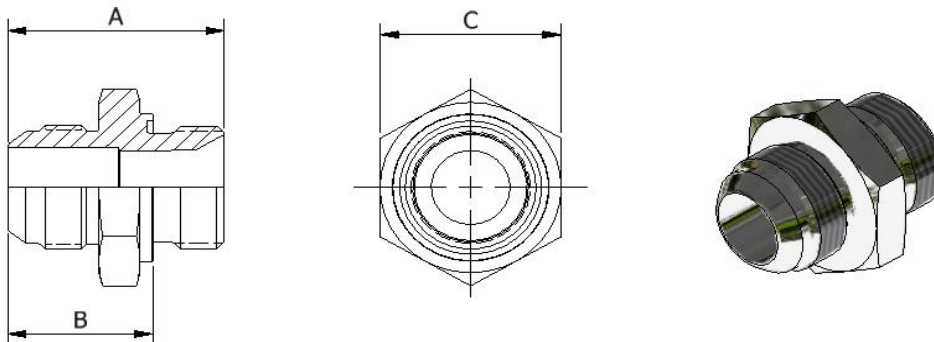
**BSPP Male to DIN Female Adapter**  
DM80167  
Page F10

# DM Series - Threaded Adapters



## BSPP Male to ORFS Male Adapter - DM80160

BSPP Size	ORFS Size	Part Number	Dimensions - mm (Inch)			*Weight K & G kg (lbs)
			A	B	C	
1/2"	1/2"	DM80160*08	39.0 (1.54)	24.9 (0.98)	30.0 (1.18)	0.10 (0.22)
3/4"	3/4"	DM80160*12	49.0 (1.93)	32.9 (1.30)	36.0 (1.42)	0.16 (0.36)
1"	1"	DM80160*16	50.0 (1.97)	31.9 (1.26)	46.0 (1.81)	0.29 (0.65)
1-1/4"	1-1/4"	DM80160*20	55.0 (2.17)	34.9 (1.37)	50.0 (1.97)	0.41 (0.91)
1-1/2"	1-1/2"	DM80160*24	60.0 (2.36)	37.9 (1.49)	55.0 (2.17)	0.55 (1.20)

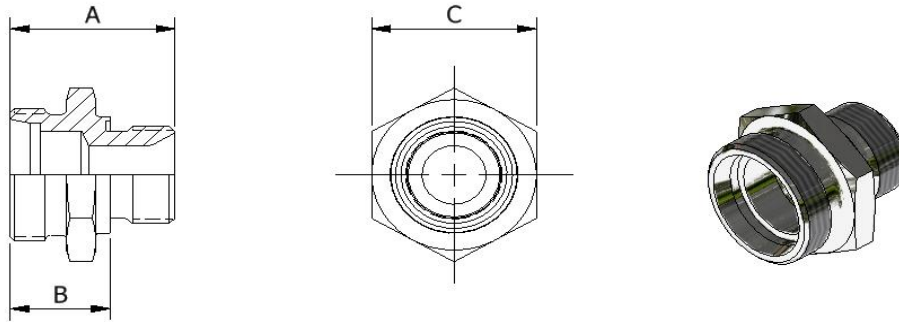


## BSPP Male to JIC Male Adapter - DM80161

BSPP Size	JIC Size	Part Number	Dimensions - mm (Inch)			*Weight K & G kg (lbs)
			A	B	C	
1/2"	1/2"	DM80161*08	42.0 (1.65)	27.9 (1.10)	30.0 (1.18)	0.10 (0.22)
3/4"	3/4"	DM80161*12	51.0 (2.01)	34.9 (1.38)	36.0 (1.42)	0.17 (0.37)
1"	1"	DM80161*16	55.0 (2.17)	36.9 (1.45)	46.0 (1.81)	0.28 (0.61)
1-1/4"	1-1/4"	DM80161*20	61.0 (2.40)	41.0 (1.61)	50.0 (1.97)	0.40 (0.89)
1-1/2"	1-1/2"	DM80161*24	67.0 (2.64)	44.9 (1.77)	55.0 (2.17)	0.54 (1.18)

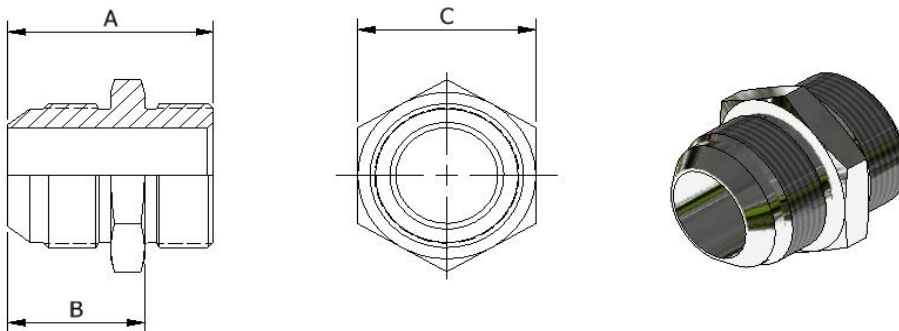
3D step models available upon request

# DM Series - Threaded Adapters



## BSPP Male to DIN Male Adapter - DM80162

BSPP Size	DIN 2353/ISO 8434-1L&S Series Thread	Part Number	Dimensions - mm (Inch)			*Weight K & G kg (lbs)
			A	B	C	
1/4"	10S - M18x1.5	DM80162*0410S	34.0 (1.34)	22.1 (0.87)	22.0 (0.87)	0.05 (0.12)
1/4"	12L - M18x1.5	DM80162*0412L	31.0 (1.22)	19.1 (0.75)	24.0 (0.95)	0.05 (0.10)
1/4"	12S - M20x1.5	DM80162*0412S	36.0 (1.42)	24.1 (0.95)	24.0 (0.95)	0.07 (0.10)
3/8"	16S - M24x1.5	DM80162*0616S	39.0 (1.54)	27.1 (1.07)	30.0 (1.18)	0.11 (0.24)
3/8"	18L - M26x1.5	DM80162*0618L	36.0 (1.42)	24.0 (0.95)	32.0 (1.26)	0.13 (0.28)
1/2"	20S - M30x2.0	DM80162*0820S	45.0 (1.77)	30.9 (1.22)	36.0 (1.42)	0.17 (0.38)
1/2"	22L - M30x2.0	DM80162*0822L	38.0 (1.50)	23.9 (0.94)	36.0 (1.42)	0.12 (0.26)
3/4"	25S - M36x2.0	DM80162*1225S	51.0 (2.01)	34.9 (1.37)	46.0 (1.81)	0.29 (0.64)
3/4"	28L - M36x2.0	DM80162*1228L	41.0 (1.61)	24.9 (0.98)	41.0 (1.61)	0.16 (0.35)
1"	30S - M42x2.0	DM80162*1630S	55.0 (2.17)	36.9 (1.45)	50.0 (1.97)	0.38 (0.83)
1"	35L - M45x2.0	DM80162*1635L	46.0 (1.81)	27.9 (1.10)	50.0 (1.97)	0.27 (0.59)
1-1/4"	38S - M52x2.0	DM80162*2038S	62.0 (2.44)	41.9 (1.65)	60.0 (2.36)	0.64 (1.40)
1-1/4"	42L - M52x2.0	DM80162*2042L	50.0 (1.97)	29.9 (1.18)	60.0 (2.36)	0.43 (0.94)

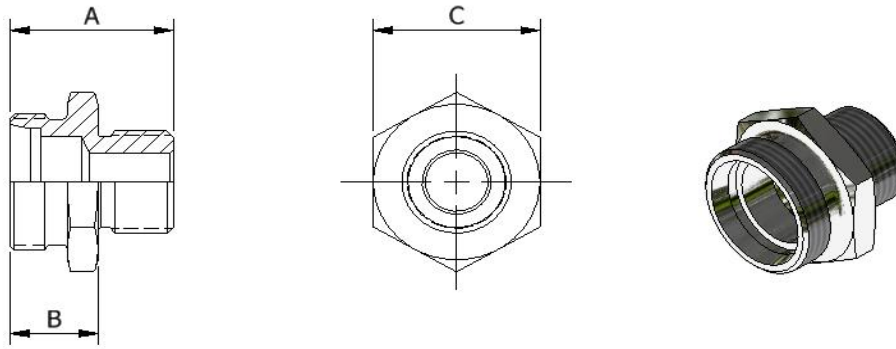


## BSPP Male to JIC Male Adapter - DM80164

SAE Size	JIC Size	Part Number	Dimensions - mm (Inch)			*Weight K & G Kg (Lbs)"
			A	B	C	
1/2"	1/2"	DM60164*08	38.0 (1.50)	24.0 (0.95)	22.2 (0.88)	0.06 (0.14)
3/4"	3/4"	DM60164*12	50.0 (1.97)	31.5 (1.24)	31.8 (1.25)	0.15 (0.34)
1"	1"	DM60164*16	52.0 (2.05)	33.5 (1.32)	38.1 (1.50)	0.15 (0.34)
1-1/4"	1-1/4"	DM60164*20	55.0 (2.17)	36.5 (1.44)	47.6 (1.88)	0.34 (0.74)
1-1/2"	1-1/2"	DM60164*24	60.0 (2.36)	41.5 (1.63)	54.0 (2.13)	0.47 (1.03)

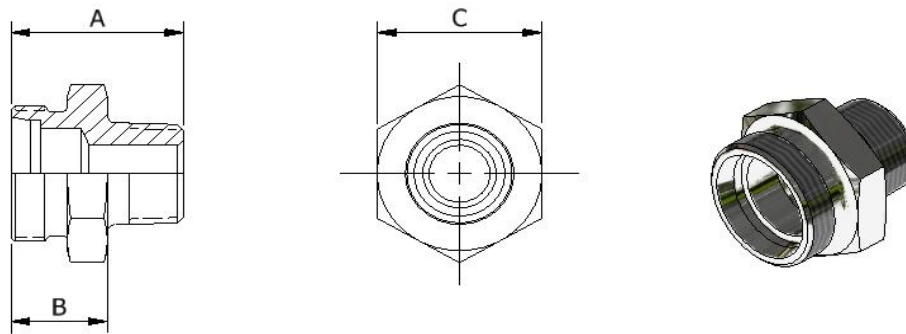
3D step models available upon request

# DM Series - Threaded Adapters



## SAE Male to DIN Male Adapter - DM60163

SAE Size	DIN 2353/ISO 8434-1L & S Series Thread	Part Number	Dimensions - mm (Inch)			"Weight K & G Kg (Lbs)"
			A	B	C	
1/2"	20S - M30x2.0	DM60163*0820S	42.0 (1.65)	28.0 (1.10)	36.0 (1.42)	0.16 (0.36)
1/2"	22L - M30x2.0	DM60163*0822L	38.0 (1.50)	24.0 (0.95)	36.0 (1.42)	0.13 (0.29)
3/4"	25S - M36x2.0	DM60163*1225S	50.0 (1.97)	31.5 (1.24)	46.0 (1.81)	0.29 (0.65)
3/4"	28L - M36x2.0	DM60163*1228L	40.0 (1.58)	21.5 (0.85)	41.0 (1.61)	0.16 (0.36)
1"	30S - M42x2.0	DM60163*1630S	52.0 (2.05)	33.5 (1.32)	50.0 (1.97)	0.36 (0.80)
1"	35L - M45x2.0	DM60163*1635L	43.0 (1.69)	24.5 (0.97)	50.0 (1.97)	0.25 (0.56)
1-1/4"	38S - M52x2.0	DM60163*2038S	57.0 (2.24)	38.5 (1.52)	60.0 (2.36)	0.59 (1.30)
1-1/4"	42L - M52x2.0	DM60163*2042L	45.0 (1.77)	26.5 (1.04)	60.0 (2.36)	0.39 (0.85)

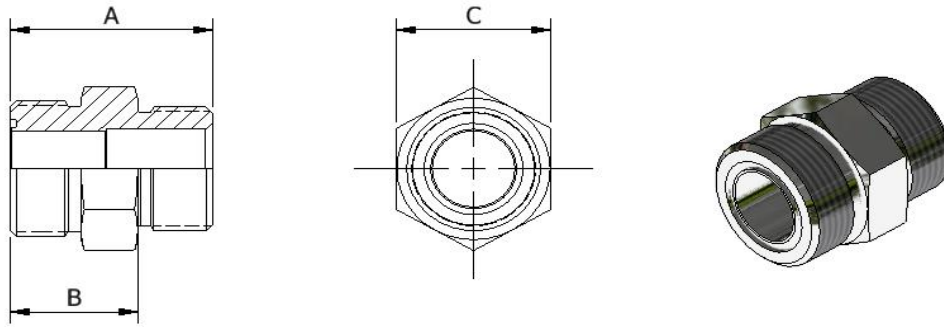


## NPT Male to DIN Male Adapter - DM20165

SAE Size	DIN 2353/ISO 8434-1L & S Series Thread	Part Number	Dimensions - mm (Inch)			"Weight K & G Kg (Lbs)"
			A	B	C	
1/2"	20S - M30x2.0	DM20165*0820S	48.0 (1.89)	29.0 (1.14)	36.0 (1.42)	0.19 (0.41)
1/2"	22L - M30x2.0	DM20165*0822L	43.0 (1.69)	23.9 (0.94)	36.0 (1.42)	0.15 (0.32)
3/4"	25S - M36x2.0	DM20165*1225S	52.0 (2.05)	32.9 (1.30)	46.0 (1.81)	0.31 (0.70)
3/4"	28L - M36x2.0	DM20165*1228L	43.0 (1.69)	23.9 (0.94)	41.0 (1.61)	0.19 (0.42)
1"	30S - M42x2.0	DM20165*1630S	59.0 (2.32)	35.1 (1.38)	50.0 (1.97)	0.42 (0.92)
1"	35L - M45x2.0	DM20165*1635L	50.0 (1.97)	26.1 (0.97)	50.0 (1.97)	0.31 (0.70)
1-1/4"	38S - M52x2.0	DM20165*2038S	57.0 (2.24)	32.0 (1.26)	60.0 (2.36)	0.51 (1.12)
1-1/4"	42L - M52x2.0	DM20165*2042L	51.0 (2.009)	26.0 (1.03)	60.0 (2.36)	0.42 (0.92)

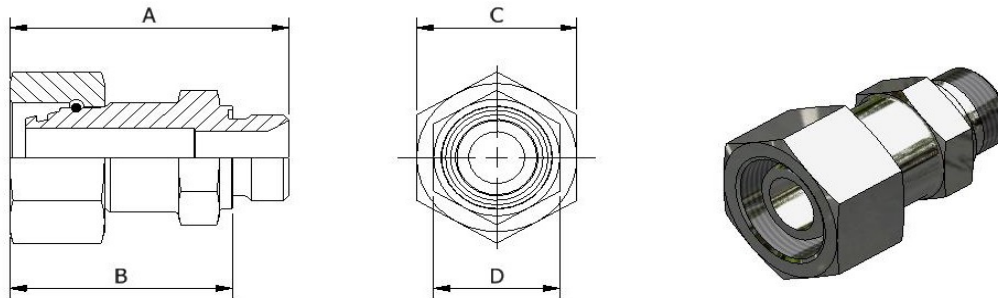
3D step models available upon request

# DM Series - Threaded Adapters



## SAE Male to ORFS Male Adapter - DM60166

SAE Size	ORFS Size	Part Number	Dimensions - mm (Inch)			"Weight K & G Kg (Lbs)"
			A	B	C	
1/2"	1/2"	DM60166*08	36.0 (1.42)	22.0 (0.87)	22.2 (0.88)	0.07 (0.16)
3/4"	3/4"	DM60166*12	49.0 (1.93)	30.5 (1.20)	31.8 (1.25)	0.19 (0.42)
1"	1"	DM60166*16	50.0 (1.97)	31.6 (1.24)	38.1 (1.50)	0.26 (0.58)
1-1/4"	1-1/4"	DM60166*20	52.0 (2.05)	33.5 (1.32)	47.6 (1.88)	0.40 (0.89)
1-1/2"	1-1/2"	DM60166*24	54.0 (2.13)	35.5 (1.40)	54.0 (2.13)	0.53 (1.16)



## BSPP Male to DIN Female Swivel Adapter - DM80167

BSPP Size	DIN 2353/ISO 8434-1L & S Series Thread	Part Number	Dimensions - mm (Inch)				"Weight K & G Kg (Lbs)"
			A	B	C	D	
1/4"	10S - M18x1.5	DM80167*0410S	43.5 (1.71)	31.7 (1.25)	22.0 (0.87)	19.0 (0.75)	0.08 (0.17)
1/4"	12L - M18x1.5	DM80167*0412L	43.5 (1.71)	31.7 (1.25)	22.0 (0.87)	19.0 (0.75)	0.08 (0.17)
1/4"	12S - M20x1.5	DM80167*0412S	45.5 (1.79)	33.6 (1.32)	24.0 (0.94)	19.0 (0.75)	0.09 (0.20)
3/8"	16S - M24x1.5	DM80167*0616S	50.0 (1.97)	38.1 (1.50)	30.0 (1.18)	22.0 (0.87)	0.15 (0.32)
3/8"	18L - M26x1.5	DM80167*0618L	52.0 (2.05)	40.0 (1.58)	32.0 (1.26)	30.0 (1.18)	0.18 (0.41)
1/2"	20S - M30x2.0	DM80167*0820S	60.0 (2.36)	45.9 (1.81)	36.0 (1.42)	30.0 (1.18)	0.25 (0.55)
1/2"	22L - M30x2.0	DM80167*0822L	61.0 (2.40)	46.9 (1.85)	36.0 (1.42)	30.0 (1.18)	0.24 (0.54)
3/4"	25S - M36x2.0	DM80167*1225S	72.0 (2.83)	55.9 (2.20)	46.0 (1.81)	36.0 (1.42)	0.47 (1.04)
3/4"	28L - M36x2.0	DM80167*1228L	64.0 (2.52)	47.9 (1.88)	41.0 (1.61)	36.0 (1.42)	0.31 (0.68)
1"	30S - M42x2.0	DM80167*1630S	81.0 (3.19)	62.8 (2.47)	50.0 (1.97)	46.0 (1.81)	0.65 (1.43)
1"	35L - M45x2.0	DM80167*1635L	82.0 (3.23)	63.9 (2.52)	50.0 (1.97)	46.0 (1.81)	0.59 (1.31)
1-1/4"	38S - M52x2.0	DM80167*2038S	93.0 (3.66)	72.9 (2.87)	60.0 (2.36)	50.0 (1.97)	1.05 (2.31)
1-1/4"	42L - M52x2.0	DM80167*2042L	85.0 (3.35)	64.9 (2.56)	60.0 (2.36)	50.0 (1.97)	0.82 (1.80)

3D step models available upon request



