

General Characteristics

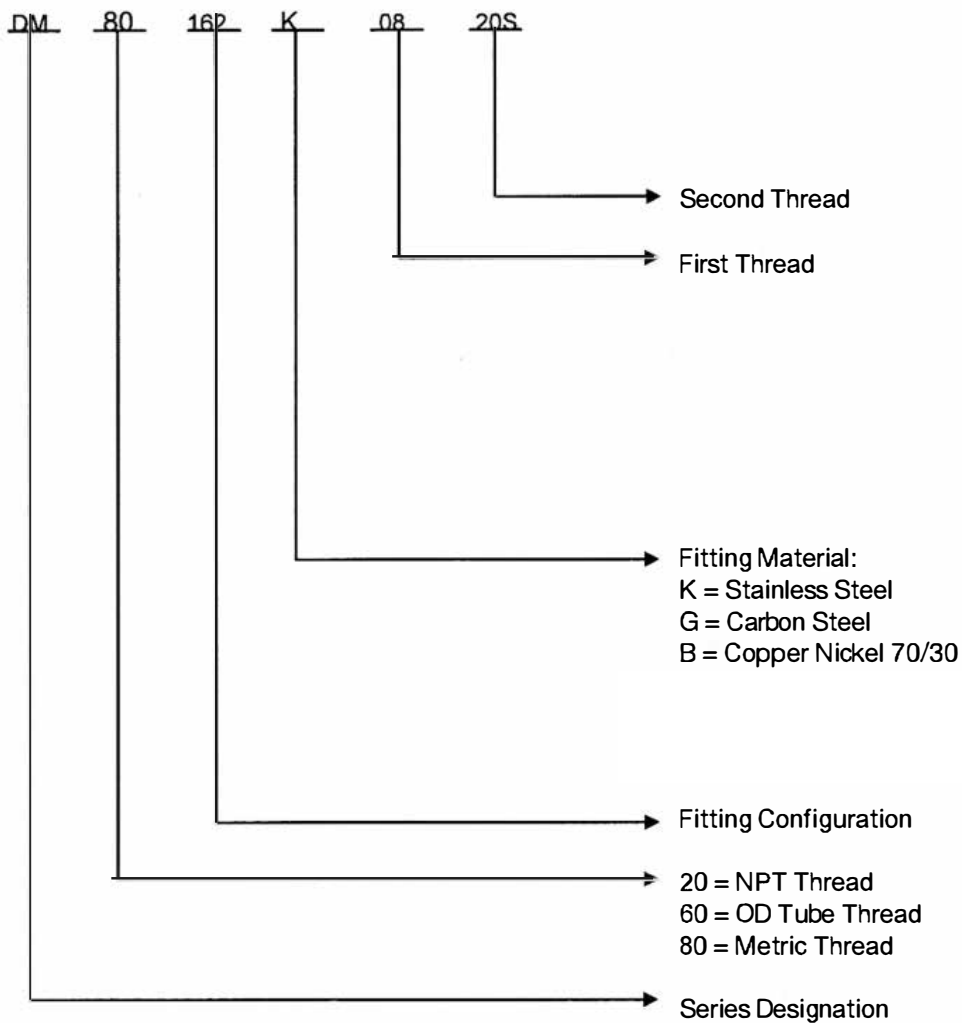
DM Series - Threaded Adapters

Fitting Material Specifications	Material Specification
K = Stainless Steel	ASTM-A479/A182-316
G = Carbon Steel	ASTM-A105/A350 LF2
B = Copper Nickel 70/30	MIL-C71500

O-Ring Material Specifications	O-Ring Temperature Limits
VITON (Brown Colour)	-15°F to 400°F (-26°C to 205°C)
EPDM (Black Colour)	-60°F to 400°F (-51°C to 205°C)

For seal compatibility and selection for each system consult factory. Other seal materials for specific applications of compatibility and temperature are available upon request.

Ordering Information



System design and safe application is the responsibility of the end-user. Consideration must be taken to confirm proper fitting selection is made to ensure proper compatibility, function and operation of the fitting within the piping system. The technical and performance information such as weights, dimensions and ratings in this catalogue supersede all previous published data. Tube-Mac® reserves the right to change technical data and product dimension, ratings and other aspects without notice.

3D step models available upon request